



SMD Crystal 32.768kHz (ZM200)

RoHS

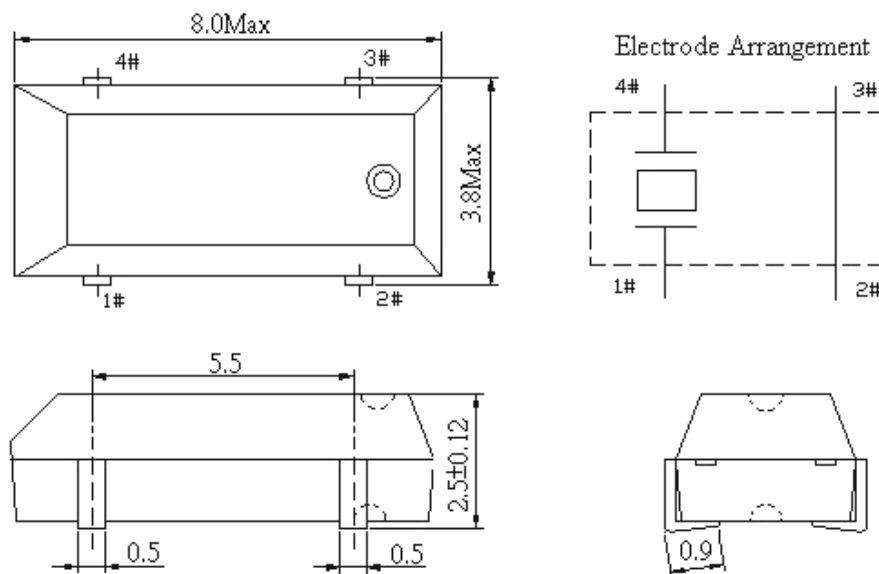
Features

- ▶ Excellent aging characteristics.
- ▶ Ultra-thin thickness 2.5mm.
- ▶ Reflow is possible.
- ▶ RoHS compliant.

Specifications

Type	ZM200
Freq.	32.768kHz
Frequency tolerance (at 25°C)	-/+20ppm
Operating temperature	-40 ~ +85°C
Equivalent series resistance	50K ohms Max.
Temperature characteristics -Turnover temperature -Parabolic curvature constant	25°C ± 5°C -0.045x10 ⁻⁶ /°C ² Max.
Drive level	1.0uW Max.
Shunt capacitance	3.0pF Max.
Load capacitance	6pF , 12.5pF
Insulation resistance	500M ohms//DC 100V
Aging	-/+5ppm/year
Min. Packing	3,000pcs/Reel

Dimensions (Unit:mm)



Note : Do not connect #2 and #3 to external device and GND.

*Specifications described are subject to change without notice for improvement.