

SMD TCXO (Clipped Sine Wave Output) 7.0*5.0*1.4mm (ST7050)

Features

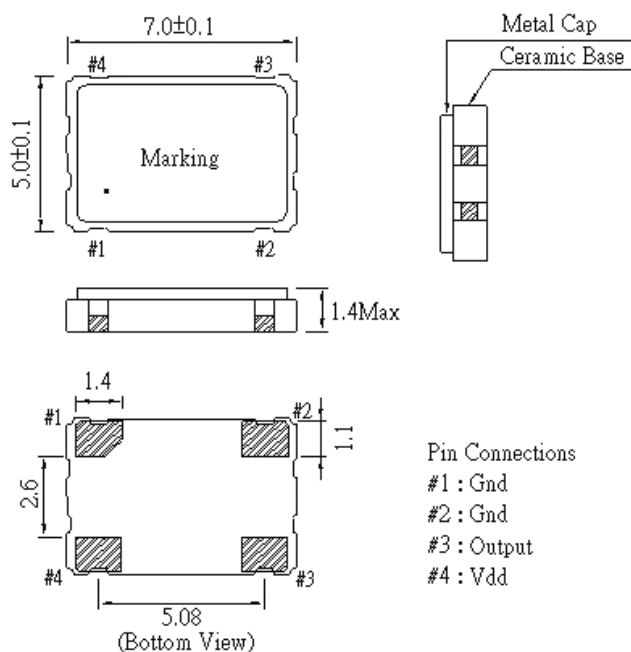
- ▶ Typical 7.0*5.0*1.4mm ceramic SMD package.
- ▶ Low power consumption.
- ▶ RoHS compliant and lead free.

RoHS / Pb Free

Specifications

| Type | | SMD TCXO (Clipped Sine Wave Output) 7.0*5.0*1.4mm | | |
|------------------------------|-----------------------|--|-----------|-----------|
| Freq. Range(Fo) | | 13.0 ~ 52.0MHz | | |
| Supply Voltage(Vdc) | | 3.3Vdc±5% | 2.5Vdc±5% | 1.8Vdc±5% |
| Frequency Tolerance(at 25°C) | | ±2.0ppm Max. (After 2 times reflows) | | |
| Frequency Stability | Temperature | ±0.5ppm(-30~+85°C) ±1.0ppm(-30~+85°C) ±2.5ppm(-40~+85°C) | | |
| | Supply Voltage change | ±0.2ppm Max. / Vdc (±5 %) | | |
| | Load change | ±0.2ppm Max. /10KΩ//10pF(±10%) | | |
| | Aging | ±1.0ppm Max. / at 1st year | | |
| Supply Current | | 2.0mA Max. (13MHz ≤ Fo ≤ 26MHz) 2.5mA Max. (26MHz < Fo ≤ 52MHz) | | |
| Output | Load | 10KΩ//10pF | | |
| | Voltage | 0.8Vp-p Min. | | |
| | Waveform | Clipped Sine Wave | | |
| Storage Temperature Range | | -55~+125°C | | |
| Min. Packing | | 1,000pcs/Reel | | |

Dimensions (Unit:mm)



*Specifications described are subject to change without notice for improvement.