

## SMD TCXO (Clipped Sine Wave Output) 2.0\*1.6\*0.8mm (ST2016F)

### Features

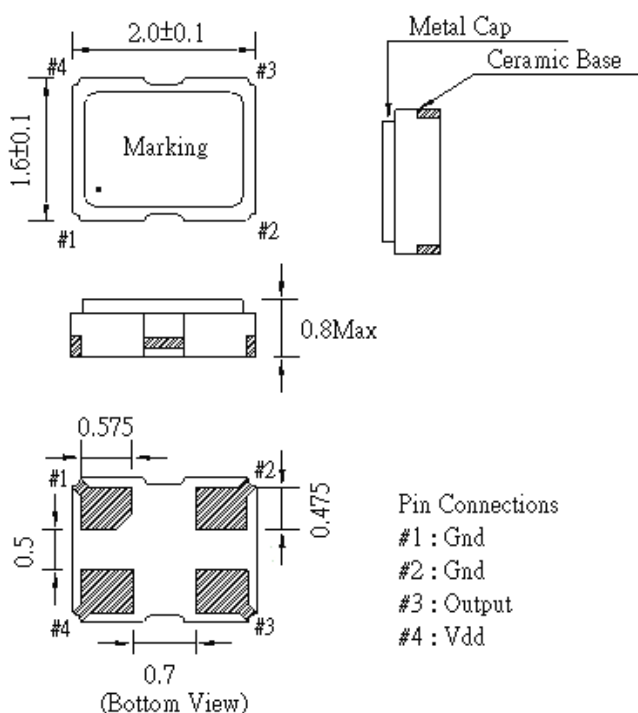
- ▶ Typical 2.0\*1.6\*0.8mm ceramic SMD package.
- ▶ Low power consumption.
- ▶ RoHS compliant and lead free.

RoHS / Pb Free

### Specifications

Type		SMD TCXO (Clipped Sine Wave Output) 2.0*1.6*0.8mm		
Freq. Range(Fo)		13.0 ~ 52.0MHz		
Supply Voltage(Vdc)		3.3Vdc±5%	2.5Vdc±5%	1.8Vdc±5%
Frequency Tolerance(at 25°C)		±2.0ppm Max. (After 2 times reflows)		
Frequency Stability	Temperature	±0.5ppm(-30~+85°C) ±1.0ppm(-30~+85°C) ±2.5ppm(-40~+85°C)		
	Supply Voltage change	±0.2ppm Max. / Vdc (±5 %)		
	Load change	±0.2ppm Max. /10KΩ//10pF(±10%)		
	Aging	±1.0ppm Max. / at 1st year		
Supply Current		2.0mA Max. ( 13MHz ≤ Fo ≤ 26MHz ) 2.5mA Max. ( 26MHz < Fo ≤ 52MHz )		
Output	Load	10KΩ//10pF		
	Voltage	0.8Vp-p Min.		
	Waveform	Clipped Sine Wave		
Storage Temperature Range		-55~+125°C		
Min. Packing		3,000pcs/Reel		

### Dimensions (Unit:mm)



\*Specifications described are subject to change without notice for improvement.