

SMD LVPECL Crystal OSC 3.2*2.5*1.2mm (SO3225CP)

Features

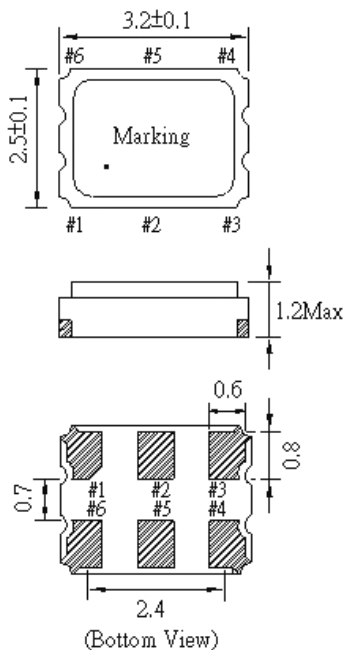
- ▶ LV-PECL output.
- ▶ Low phase noise.
- ▶ RoHS compliant and lead free.

RoHS / Pb Free

Specifications

Type	SMD LVPECL Crystal OSC 3.2*2.5*1.2mm
Freq. range	13.5 ~ 156.25MHz
Frequency Stability	±20ppm , ±100ppm
Operating Temperature Range	-20 ~ +70°C (-40~+85°C is available)
Storage Temperature Range	-55~+125°C
Supply Voltage	2.5V , 3.3V
Phase Jitter RMS	1.0ps Max.
Output Voltage Level	Vol: Vcc-1.620 Max. / Voh: Vcc-1.025 Min.
Supply Current	50mA Max.
Output Load	50 Ohms (terminus to Vcc-2V)
Output Symmetry	45~55%
Rise Time/Fall Time	1nS Max. / 20%~80% output swing level
Min. Packing	3,000pcs/Reel

Dimensions (Unit:mm)



Pin Connections
 #1 : $\overline{\text{INH}}$
 #2 : Nc
 #3 : Gnd
 #4 : Output
 #5 : Complementary Output
 #6 : Vdd

$\overline{\text{INH}}$ Function	
#1	#4, #5 (Output)
Open	Active
"H"Level	Active
"L"Level	High Z(Oscillation Stopped)

*Specifications described are subject to change without notice for improvement.