

SMD LVDS Crystal OSC 3.2*2.5*1.2mm (SO3225CL)

Features

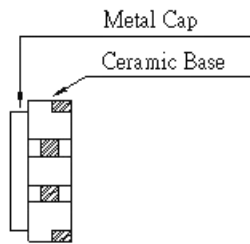
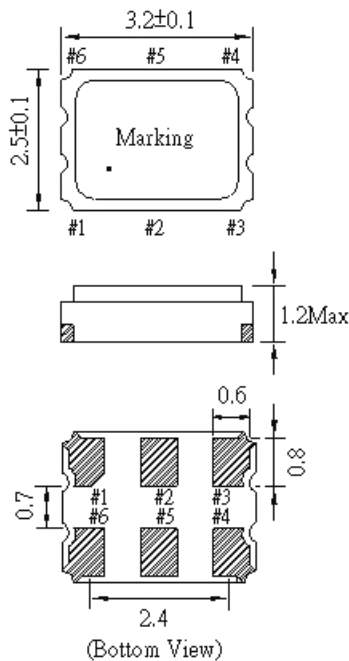
- ▶ LVDS output.
- ▶ Low phase noise.
- ▶ RoHS compliant and lead free.

RoHS / Pb Free

Specifications

Type	SMD LVDS Crystal OSC 3.2*2.5*1.2mm
Freq. range	13.5 ~ 212.5MHz
Frequency Stability	±20ppm , ±100ppm
Operating Temperature Range	-20 ~ +70°C (-40~+85°C is available)
Storage Temperature Range	-55~+125°C
Supply Voltage	1.8V , 2.5V , 3.3V
Phase Jitter RMS	1.0ps Max.
Output Voltage Level	Vol: 0.9V Min. / Voh: 1.6V Max.
Supply Current	40mA Max.
Output Load	100 Ohms (OUT-OUTN differential)
Output Symmetry	45~55%
Rise Time/Fall Time	1nS Max. / 20%~80% output swing level
Min. Packing	3,000pcs/Reel

Dimensions (Unit:mm)



Pin Connections

- #1 : INH
- #2 : Nc
- #3 : Gnd
- #4 : Output
- #5 : Complementary Output
- #6 : Vdd

INH Function	
#1	#4 , #5 (Output)
Open	Active
"H"Level	Active
"L"Level	High Z(Oscillation Stopped)

*Specifications described are subject to change without notice for improvement.