

SMD TCXO (CMOS Output) 2.5*2.0*1.0mm (SO2520T)

RoHS / Pb Free

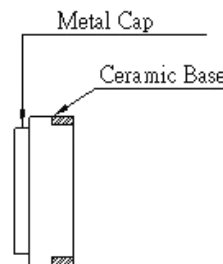
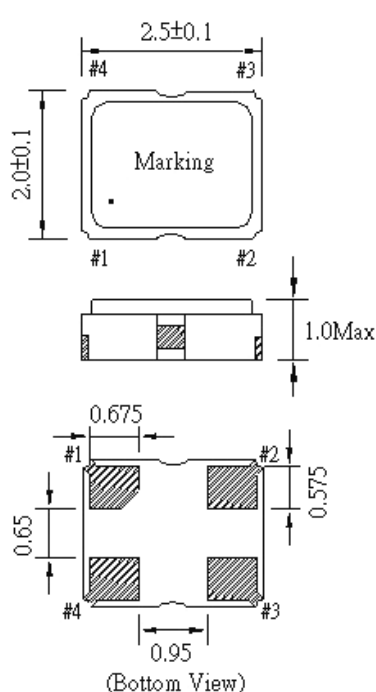
Features

- ▶ CMOS output.
- ▶ Low phase noise.
- ▶ Enable / disable tristate function.
- ▶ Low power consumption.

Specifications

Type	SMD TCXO (CMOS Output) 2.5*2.0*1.0mm		
Supply Voltage	1.8~3.3V		
Freq. range	8.0 ~ 70.0MHz		
Frequency Tolerance at 25°C	±2.0ppm Max. (After 2 times reflows)		
Frequency Stability Ref. 25°C	±2.5ppm	±5ppm	±20ppm
Operating Temperature Range	-40~+85°C	-40~+105°C	-40~+125°C
Storage Temperature Range	-55~+125°C		
Current	10mA Max.		
Load	15pF		
Output Level	CMOS		
Output Symmetry	45~55%(VT=1/2V _{DD})		
Rise Time/Fall Time	5nS Max.		
Start-up Time	10mS Max.		
Phase Noise(10kHz offset)	-145dBc/Hz Typ.		
Min. Packing	3,000pcs/Reel		

Dimensions (Unit:mm)



Pin Connections
 #1 : $\overline{\text{INH}}$
 #2 : Gnd
 #3 : Output
 #4 : Vdd

$\overline{\text{INH}}$ Function	
#1	#3 (Output)
Open	Active
"H" Level	Active
"L" Level	High Z(Oscillation Stopped)

*Specifications described are subject to change without notice for improvement.