

SMD Crystal UNITS 1.2*1.0*0.35mm (S1210A)

RoHS / Pb Free

Features

- ▶ Ultra-thin thickness 0.35mm.
- ▶ Seam with vacuum Sealed for Ultra-small size.
- ▶ Automatic mounting is possible.
- ▶ Reflow is possible.
- ▶ RoHS compliant and lead free.

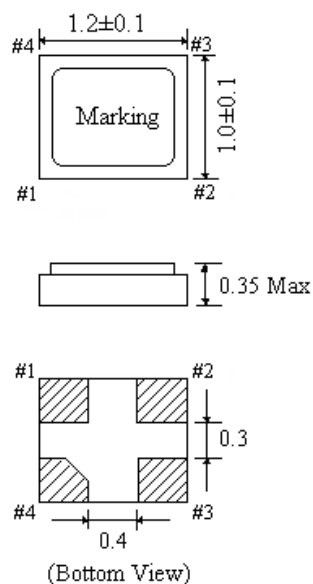
Specifications

Type	SMD Crystal UNITS 1.2*1.0*0.35mm
Freq. range	32.0 ~ 80.0MHz
Vibration mode	AT cut , Fundamental
Frequency tolerance(at 25 °C)	-/+10ppm , -/+30ppm , or specify
Equivalent series resistance	See table No.1
Frequency stability over operating temperature range	-/+10ppm, -/+30ppm , or specify
Operating temperature range	-10 ~ +60°C , or specify
Drive Level	50uW Max.
Shunt capacitance	3.0pF Max.
Load capacitance	8pF, 10pF, or specify
Aging	-/+2ppm/year , -/+5ppm/year
Min. Packing	3,000pcs/Reel

Equivalent series resistance(ESR) Table No. 1

Frequency	Mode	ESR
32.0~40.0 MHz	Fundamental	150 ohms Max.
41.0~60.0 MHz	Fundamental	100 ohms Max.
61.0~80.0 MHz	Fundamental	60 ohms Max.

Dimensions (Unit:mm)



*Specifications described are subject to change without notice for improvement.