

SMD Crystal 32.768kHz 1.6*1.0*0.5mm (S1610)

RoHS / Pb Free

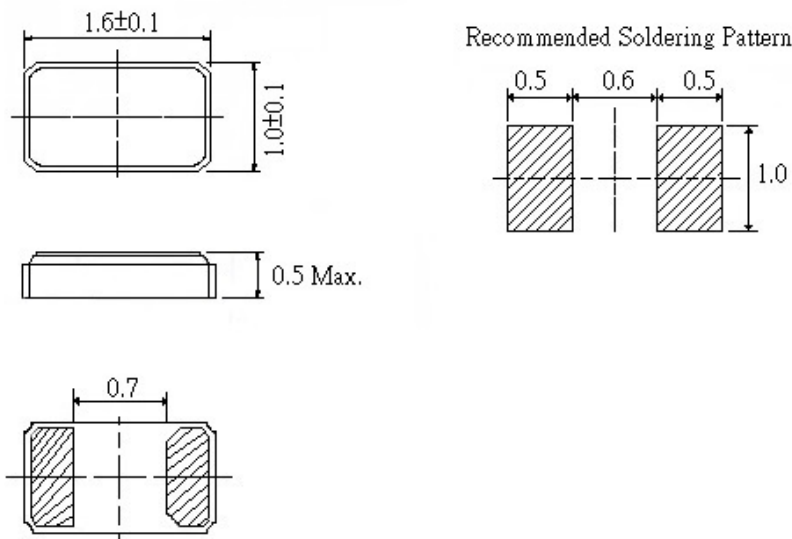
Features

- ▶ Excellent aging characteristics.
- ▶ Ultra-thin thickness 0.5mm.
- ▶ Reflow is possible.
- ▶ RoHS compliant and lead free.

Specifications

Type	S1610
Freq.	32.768kHz
Frequency tolerance (at 25°C)	-/+20ppm , -/+50ppm
Operating temperature	-40 ~ +85°C
Equivalent series resistance	90K ohms Max.
Temperature characteristics -Turnover temperature -Parabolic curvature constant	25°C ± 5°C -0.045x10 ⁻⁶ /°C ² Max.
Drive level	0.1uW
Shunt capacitance	2.0pF Max.
Load capacitance	9pF , 12.5pF
Insulation resistance	500M ohms//DC 100V
Aging	-/+3ppm/year
Min. Packing	5,000pcs/Reel

Dimensions (Unit:mm)



*Specifications described are subject to change without notice for improvement.