

SMD Crystal UNITS 5.0*3.2*1.1mm (AS5032B)

Features

- ▶ Ultra-thin thickness 1.1mm.
- ▶ Automatic mounting is possible.
- ▶ High resolution frequency tolerance is obtained.
- ▶ AEC-Q200 qualified
- ▶ Reflow is possible.
- ▶ RoHS compliant and lead free.

For Automotive

RoHS / Pb Free

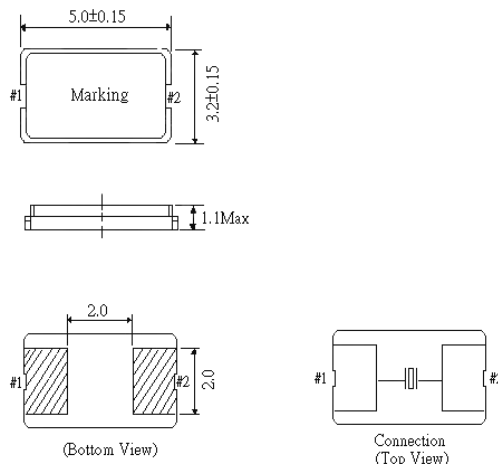
Specifications

Type		SMD Crystal UNITS 5.0*3.2*1.1mm
Freq. range	Fundamental	7.6 ~ 54.0MHz
	3rd	40.0 ~ 156.25MHz
Vibration mode		AT cut , Fundamental , 3rd
Frequency tolerance(at 25°C)		-/+10ppm , -/+30ppm , or specify
Equivalent series resistance		See table No.1
Frequency stability over operating temperature range		-/+50ppm , -/+100ppm , or specify
Operating temperature range		-40 ~ +125°C , or specify
Drive Level		300uW Max.
Shunt capacitance		5.0pF Max.
Load capacitance		16pF, 18pF, 20pF, or specify
Aging		-/+2ppm/year , -/+5ppm/year
Min. Packing		1,000pcs/Reel

Equivalent series resistance(ESR) Table No. 1

Frequency	Mode	ESR
7.6~11.9 MHz	Fundamental	100 ohms Max.
12.0~13.9 MHz	Fundamental	60 ohms Max.
14.0~19.9 MHz	Fundamental	50 ohms Max.
20.0~54.0 MHz	Fundamental	40 ohms Max.
40.0~59.0 MHz	3rd	70 ohms Max.
60.0~156.25 MHz	3rd	60 ohms Max.

Dimensions (Unit:mm)



*Specifications described are subject to change without notice for improvement.