

CRYSTAL OSCILLATOR SPECIFICATION

YOKETAN CORP.

Spec no : SVT5032T-026000-28-25A

1. General

- 1-1. Designation : VCTCXO
- 1-2. Dimension : As attached.
- 1-3. Packing :

2. Nominal Condition

- 2-1. Nominal Frequency : 26.000 MHz
- 2-2. Operating Temperature : -20 +75
- 2-3. Supply Voltage : +2.8V
- 2-4. Load : 10k //10pF

3. Maximum ratings

- 3-1. Storage Temperature : -40 +85
- 3-2. Supply Voltage : +2.8V-+5%

4 .Electrical Specification

- 4-1. Supply Current : 2.0mA max (+25degrees)
- 4-2. Output Voltage : 0.8Vp-p min(Clipped Sine Wave)
- 4-3. Frequency Stability
 - (1)Temperature : ± 2.5 ppm max (-20 +75)
 - (2)Load : ± 0.2 ppm max (10k //10pF $\pm 10\%$)
 - (3)Input Voltage : ± 0.2 ppm max (@+2.8V $\pm 5\%$)
 - (4)After Reflow soldering : ± 1.5 ppm max(Vcon=1.4V, @25 ± 2)
 - (5)Aging : ± 1.0 ppm max/year (Room Temperature)
- 4-4. Frequency Control Characteristics
 - (1)Control Sensitivity : ± 8 ppm~ ± 14.0 ppm (@ 1.4V ± 1 V)
- 4-5. Phase Noise : -130dBc/ Hz Max(1KHz offset)

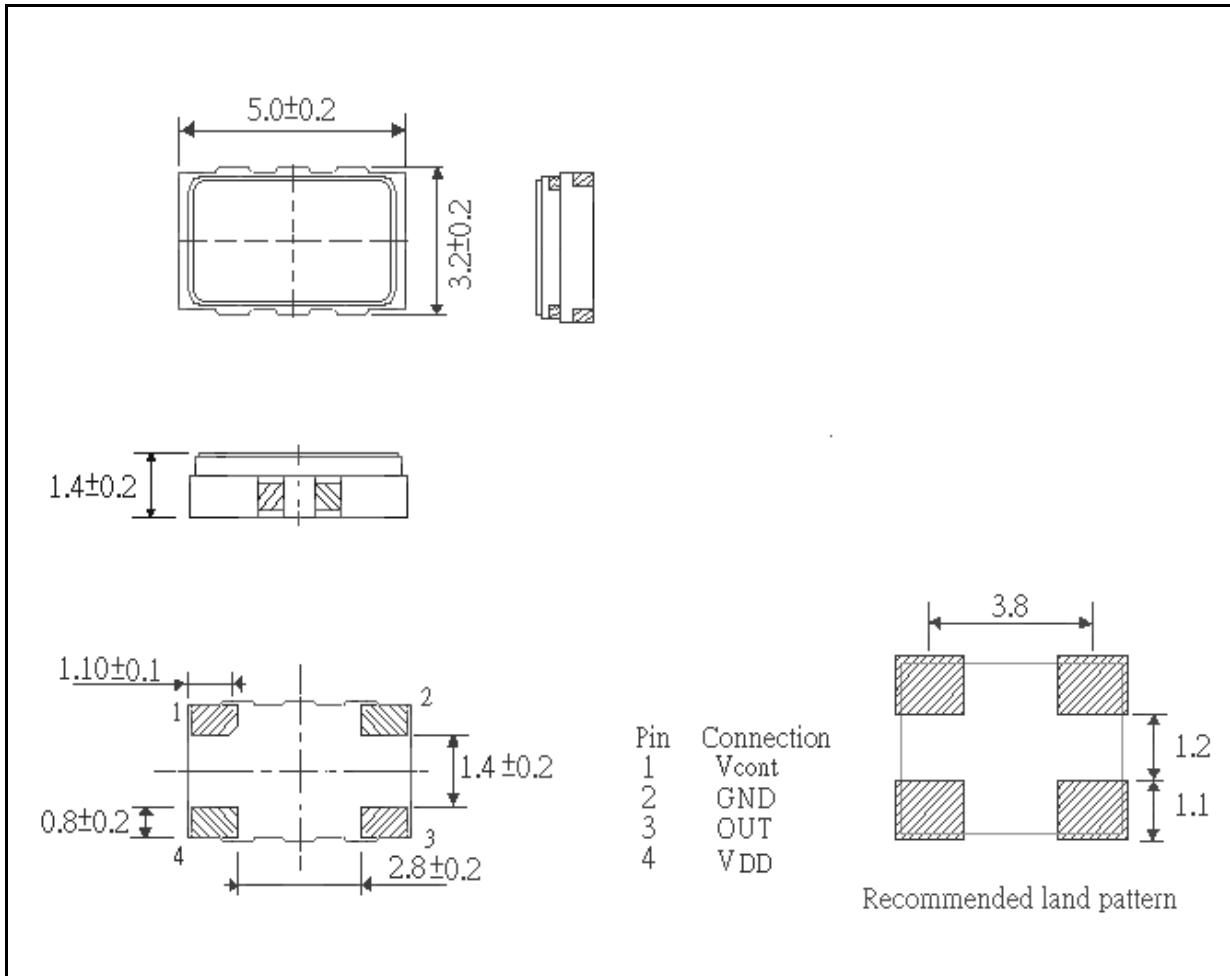
5. Marking

26.000 . YOKE

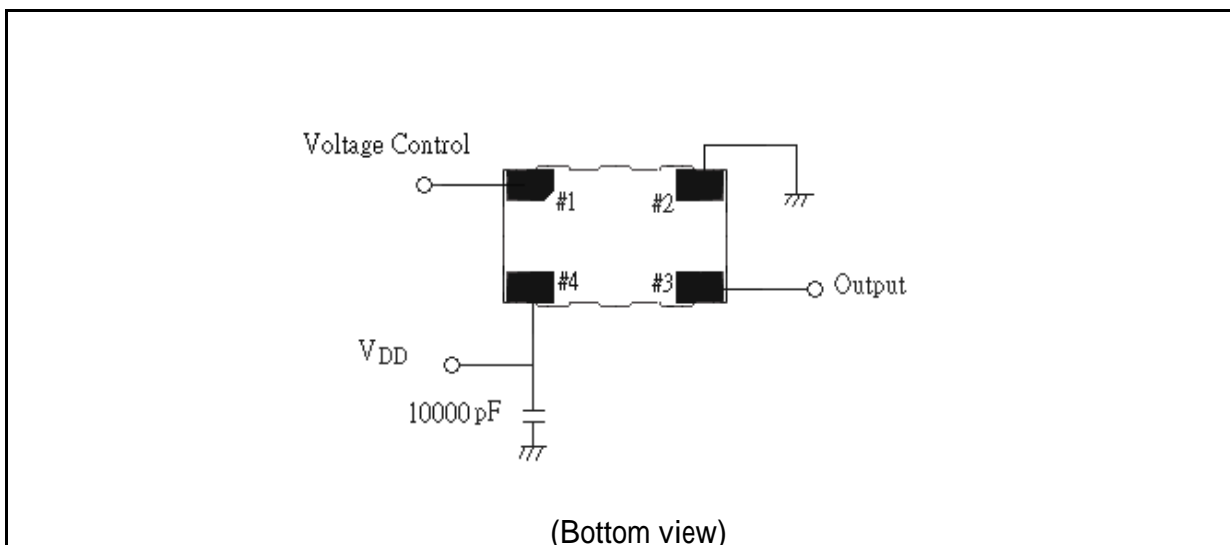
CRYSTAL OSCILLATOR SPECIFICATION

YOKETAN CORP.

Dimension (mm)



Recommended Circuit



CRYSTAL OSCILLATOR SPECIFICATION

YOKETAN CORP.

Reflow

Temp. (deg.C)

