

# CRYSTAL OSCILLATOR SPECIFICATION YOKETAN CORP.

Spec no : ST5032N-024553-28-25A

## 1. General

- 1-1. Designation : TCXO  
1-2. Dimension : As attached.

## 2. Nominal Condition

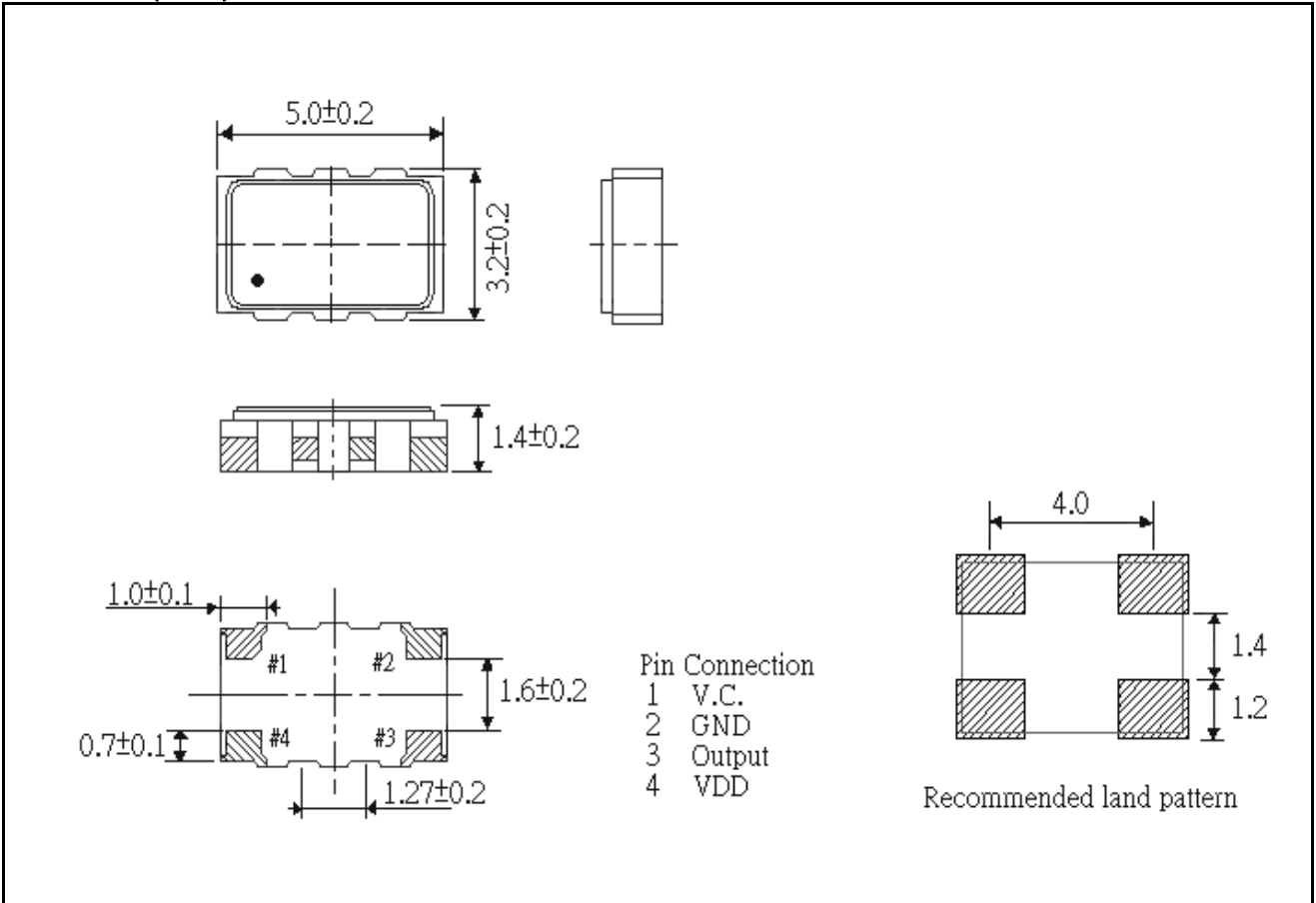
- 2-1. Nominal Frequency : 24.5535 MHz  
2-2. Operating Temperature : -30 +85  
2-3. Input Voltage : +2.8V  
2-4. Output Load : 10k //10pF

## 3. Electrical Specification

- 3-1. Input Current : 1.5mA max / at 25 ±2  
3-2. Output Level : 0.8Vp-p min Clipped Sine Wave  
3-3. Phase Noise : -130dBc/Hz typ. (1KHz offset)  
3-3. Frequency Stability  
(1)Temperature : ±2.5ppm max /-30 +85 (vs +25 ±2 )  
(2)Load Stability : ±0.2ppm max (10k //10pF±10%)  
(3)Supply Voltage Stability : ±0.3ppm max (+2.8V±5%)  
(4)Aging : ±1.0ppm max/year  
3-4. Frequency Tolerance  
(1)After Reflow Soldering : ±1.0ppm max (vs 25 ±2 )  
3-5. Storage Temperature : -40 +85

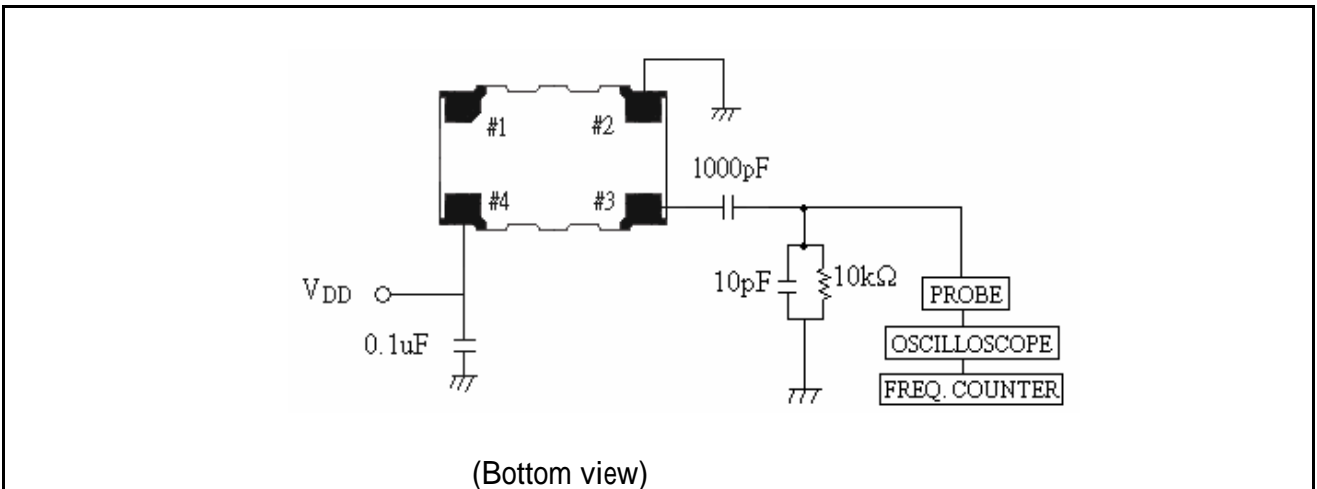
# CRYSTAL OSCILLATOR SPECIFICATION YOKETAN CORP.

## Dimension ( mm )



Note : Connect "V.C." terminal to the ground on your circuit , otherwise oscillation frequency will shift from the output frequency specified.

## Test Method



# CRYSTAL OSCILLATOR SPECIFICATION YOKETAN CORP.

## Reflow

