

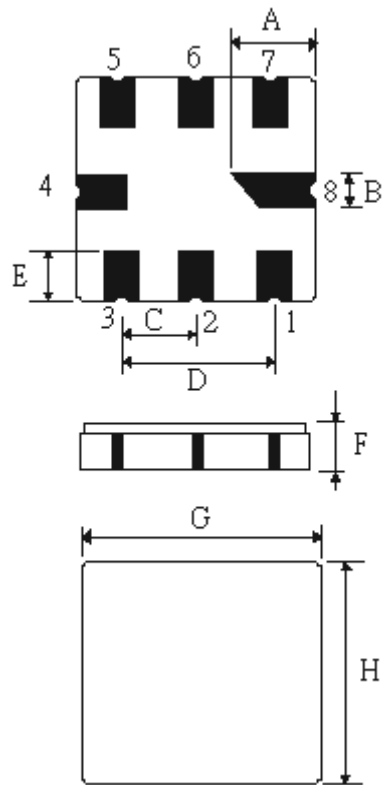
SPECIFICATION OF SAW FILTER

YOKETAN CORP.

Spec no: SM5050F-09150-001-NJ-A

1. Type : SM5050 (Lead Free Parts)

2. Product Dimension



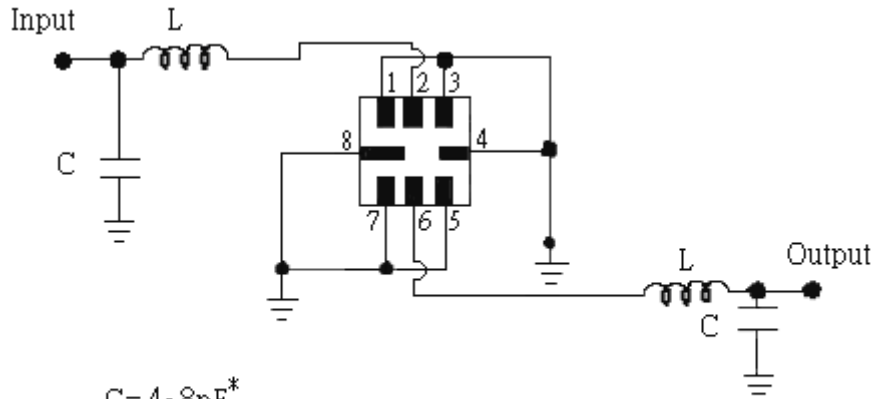
Pin	Connection
2	Input/Output
6	Output/Input
1,3,4,5,7,8	To be Ground

Sign	Data (unit:mm)	Sign	Data(unit:mm)
A	2.08±0.15	E	1.2±0.15
B	0.60±0.1	F	1.35±0.15
C	1.27±0.1	G	5.0±0.2
D	2.54±0.1	H	5.0±0.2

SPECIFICATION OF SAW FILTER

YOKETAN CORP.

3. Test Circuit



$$C = 4 \sim 8 \text{ pF}^*$$

$L = 2$ turns of 0.5mm insulated copper, 2.5 ID (28nH)

4. Performance

4-1. Maximum Ratings

Rating	Value	Units
Input Power Level	10	dBm
DC Voltage	12V	VDC
Storage Temperature Range	-40 to +85	
Soldering Temperature	+235	

4-2. Electronic Characteristics

Item		Min	Typ.	Max.	Units	
Center Frequency (center frequency between 3dB points)		f_c	--	915.00	--	MHz
Insertion Loss		I_L	--	4.0	5.5	dB
3dB Passband		BW_3		1200		kHz
Rejection	at $f_c - 21.4\text{MHz}$ (Image)	30	40	--	dB	
	at $f_c - 10.7\text{MHz}$ (LO)	15	30	--		
	Ultimate	--	60	--		
Frequency Aging Absolute Value during the First Year fA				10		ppm/yr