

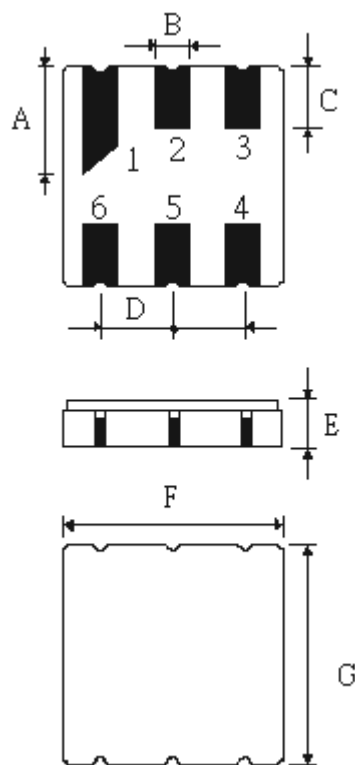
SPECIFICATION OF SAW FILTER

YOKETAN CORP.

Spec no: SM3838F-08690-002-NJ-A

1. Type : SM3838 (Lead Free Parts)

2. Product Dimension



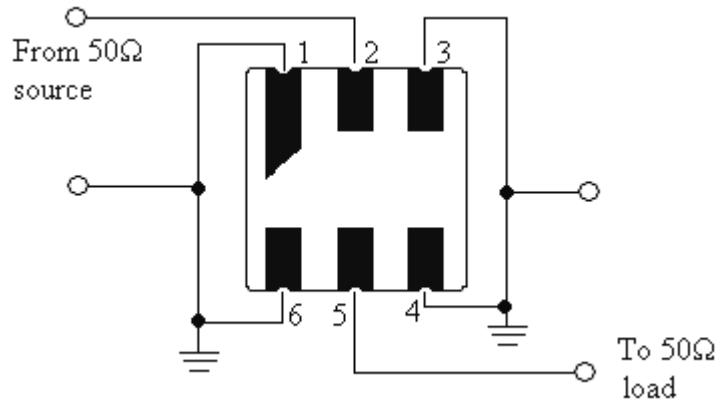
Pin	Connection
2	Input
5	Output
1, 3, 4, 6	Ground

Sign	Data (unit:mm)	Sign	Data(unit:mm)
A	1.90±0.1	E	1.35±0.15
B	0.64±0.1	F	3.80±0.15
C	1.00±0.1	G	3.80±0.15
D	1.27±0.1		

SPECIFICATION OF SAW FILTER

YOKETAN CORP.

3. Test Circuit



4. Performance

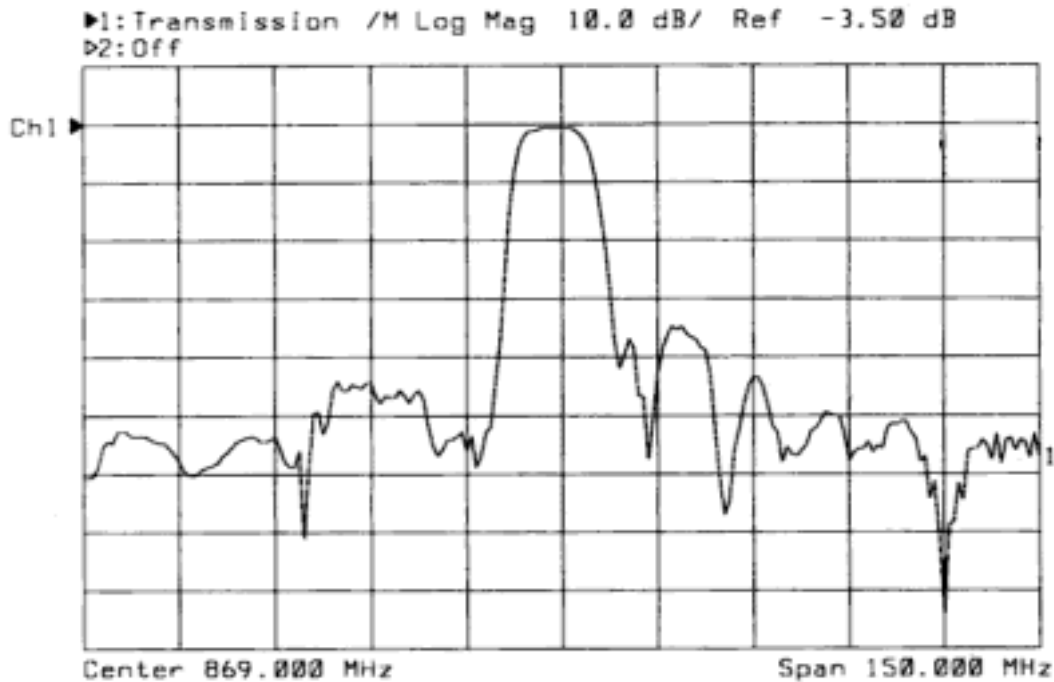
4-1. Maximum Ratings

Rating	Value	Unit
Input Power Level	10	dBm
DC Voltage	12V	V _{DC}
Storage Temperature Range	-40 to +85	
Soldering Temperature	+235	

4-2. Electronic Characteristics

Item	Min	Typ	Max	Unit
Center Frequency f_c	--	869.00	--	MHz
Insertion Loss within $f_c \pm 1.0\text{MHz}$	--	--	4.5	dB
Absolute Attenuation within 820 .. 823 MHz	40	--	--	dB
within 841 .. 844 MHz	35	--	--	dB
within 884 .. 887 MHz	35	--	--	dB
within 905 .. 908 MHz	40	--	--	dB
Ripple Deviation within $f_c \pm 1.0\text{MHz}$	--	--	1.5	dB
Input/Output Impedance (Nominal)	50			

5. Frequency Response



6. Notice

Unless noted otherwise, all measurements are made with the filter installed in the specified test fixture that is connected to a 50Ω test system with $VSWR \leq 1.2:1$.

The test fixture L and C are adjusted for minimum insertion loss at the filter center frequency, f_c . Note that insertion loss, bandwidth, and passband shape are dependent on the impedance matching component values and quality.