

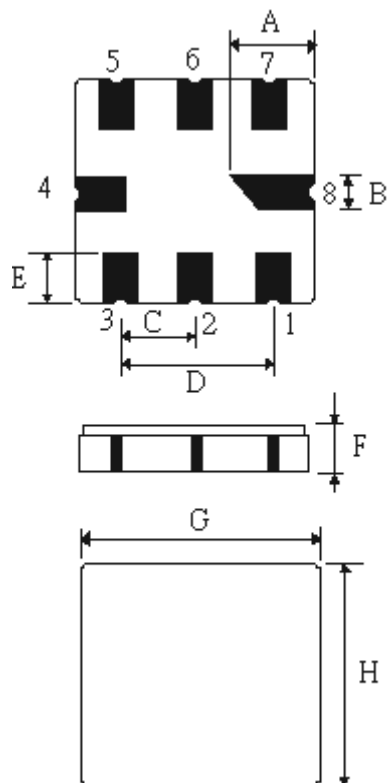
SPECIFICATION OF SAW FILTER

YOKETAN CORP.

Spec no: SM5050F-04650-006-NJ-A

1. Type : SM5050 (Lead Free Parts)

2. Product Dimension



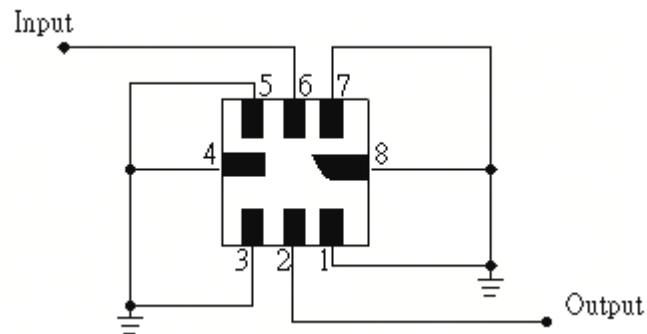
Pin	Connection
2	Input/Output
6	Output/Input
1,3,5,7	To be ground
4,8	Case Ground

Sign	Data (unit:mm)	Sign	Data(unit:mm)
A	2.08±0.15	E	1.2±0.15
B	0.60±0.1	F	1.35±0.15
C	1.27±0.1	G	5.0±0.2
D	2.54±0.1	H	5.0±0.2

SPECIFICATION OF SAW FILTER

YOKETAN CORP.

3. Test Circuit



4. Performance

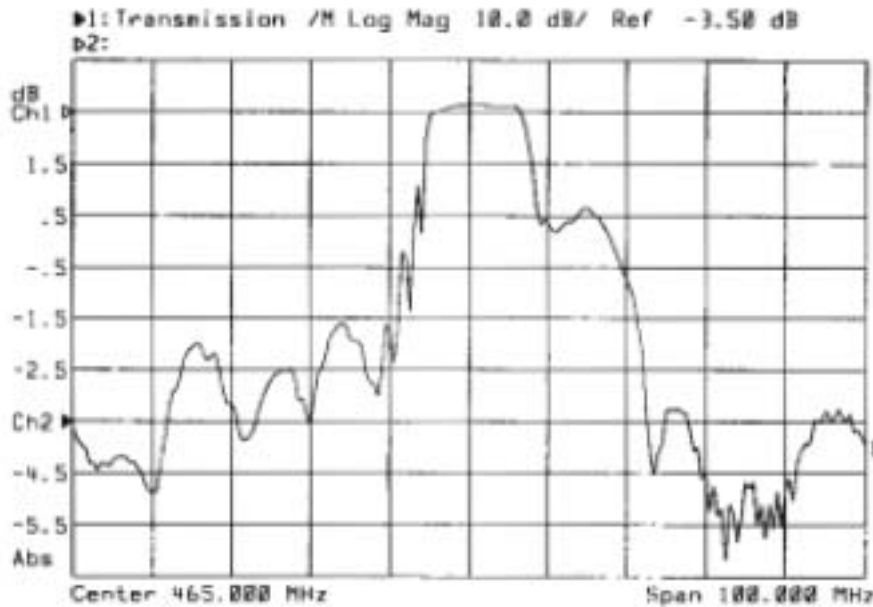
4-1. Maximum Ratings

Rating	Value	Units
CW RF Power Dissipation	+10	dBm
DC Voltage Between Any Two Pins	±30V	VDC
Case Temperature	-40 to +85	

4-2. Electronic Characteristics

Item	Min	Typ	Max	Units
Center Frequency f_c	--	465.00	--	MHz
User Signal Band	--	±3.0		MHz
Insertion Loss ($f_c \pm 3.0\text{MHz}$)		3.5	5.0	dB
Rejection (out of $f_c \pm 30.0\text{MHz}$)	50	60	--	dB
Ripple (with $f_c \pm 3.0\text{MHz}$)	--	2.0	--	dB
Input/Output Impedance (Nominal)	150 // 0pF			

5. Frequency Response



6 Notice

Unless noted otherwise, all measurements are made with the filter installed in the specified test fixture that is connected to a 50Ω test system with VSWR \leq 1.2:1. The test fixture L and C are adjusted for minimum insertion loss at the filter center frequency, f_c . Note that insertion loss, bandwidth, and passband shape are dependent on the impedance matching component values and quality.