

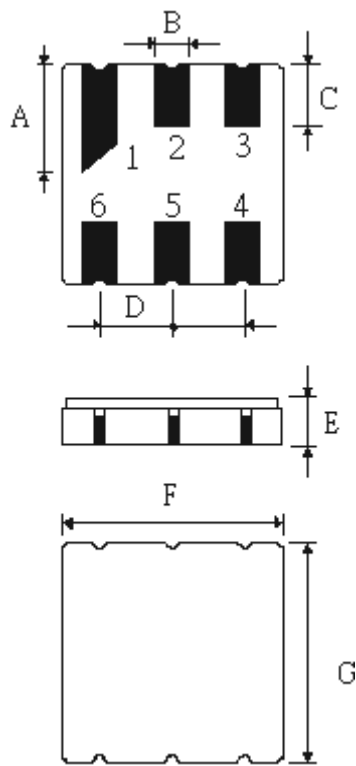
SPECIFICATION OF SAW FILTER

YOKETAN CORP.

Spec no: SM3838F-04480-004-NJ-A

1. Type : SM3838 (Lead Free Parts)

2. Product Dimension



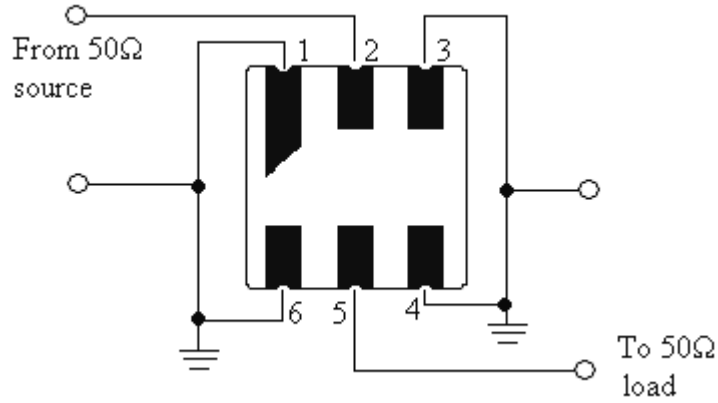
Pin	Connection
2	Input
5	Output
1, 3, 4, 6	Ground

Sign	Data (unit:mm)	Sign	Data(unit:mm)
A	1.90±0.1	E	1.35±0.15
B	0.64±0.1	F	3.80±0.15
C	1.00±0.1	G	3.80±0.15
D	1.27±0.1		

SPECIFICATION OF SAW FILTER

YOKETAN CORP.

3. Test Circuit



4. Performance

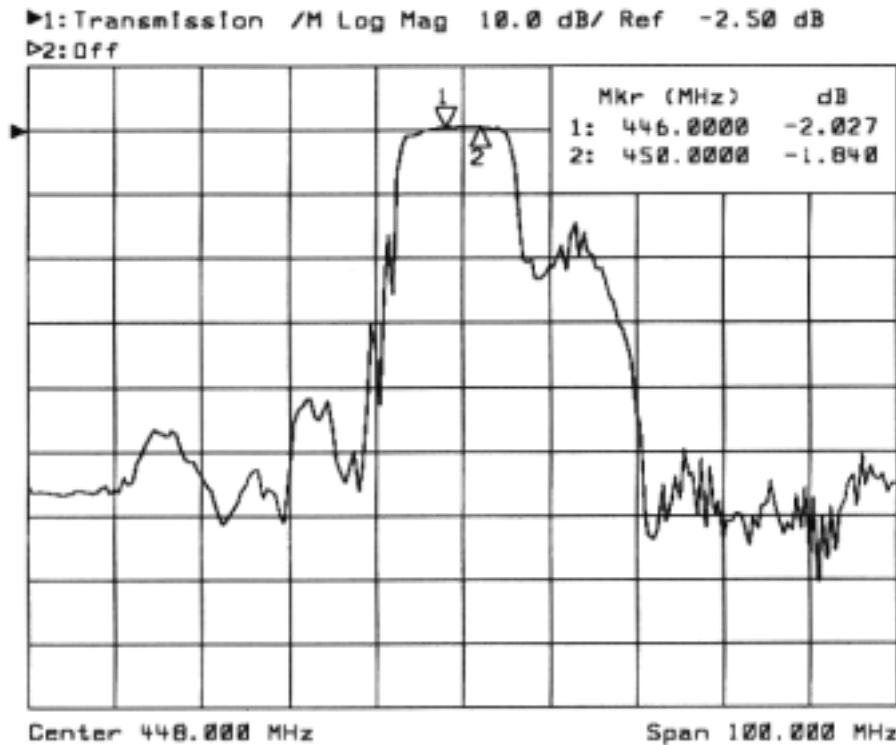
4-1. Maximum Ratings

Rating		Value	Unit
Input Power Level	P	0	dBm
DC Voltage	V_{DC}	10	V
Operable Temperature Range	T_A	-10 to +65	
Storage Temperature Range	T_{stg}	-40 to +85	

4-2. Electronic Characteristics

Item		Min	Typ	Max	Unit
Center Frequency	f_c	--	448.000	--	MHz
User Signal Band	BW	--	± 2.0	--	MHz
Insertion Loss	IL				
	$f_c \pm 2.0$ MHz	--	3.0	4.5	dB
Absolute Attenuation	α				
	DC to $f_c - 20.0$ MHz	36	48	--	dB
	$f_c + 25.0$ MHz to $f_c + 200.0$ MHz	40	52	--	dB
Ripple	$\Delta\alpha$				
	$f_c \pm 2.0$ MHz	--	--	2.0	dB
Input / Output Impedance (Nominal)		50Ω // 0pF			

5. Frequency Response



6. Notice

Unless noted otherwise, all measurements are made with the filter installed in the specified test fixture that is connected to a 50Ω test system with $VSWR \leq 1.2:1$. The test fixture L and C are adjusted for minimum insertion loss at the filter center frequency, f_c . Note that insertion loss, bandwidth, and passband shape are dependent on the impedance matching component values and quality.