

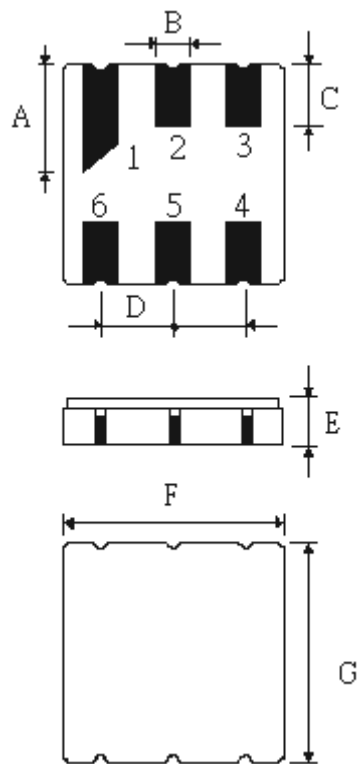
# SPECIFICATION OF SAW FILTER

YOKETAN CORP.

Spec no: SM3838F-04339-006-NJ-A

**1. Type :** SM3838 (Lead Free Parts)

**2. Product Dimension**



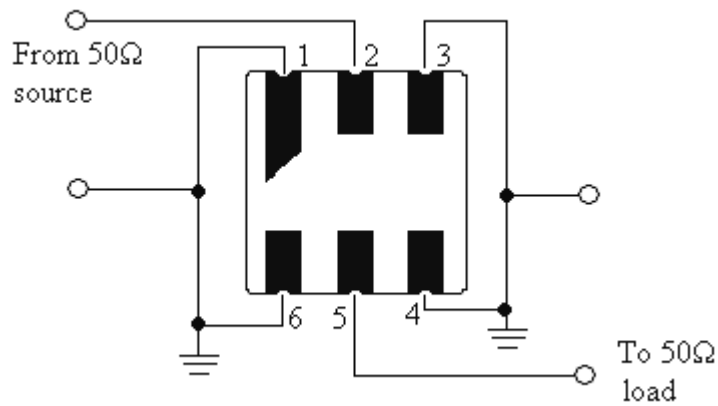
Pin	Connection
2	Input
5	Output
1, 3, 4, 6	Ground

Sign	Data (unit:mm)	Sign	Data(unit:mm)
A	1.90±0.1	E	1.35±0.15
B	0.64±0.1	F	3.80±0.15
C	1.00±0.1	G	3.80±0.15
D	1.27±0.1		

# SPECIFICATION OF SAW FILTER

YOKETAN CORP.

## 3. Test Circuit



## 4. Performance

### 4-1. Maximum Ratings

Rating	Value	Unit
CW RF Power dissipation	+10	dBm
DC Voltage Between any Two Pins	±30V	V <sub>DC</sub>
Case Temperature	-40 to +85	

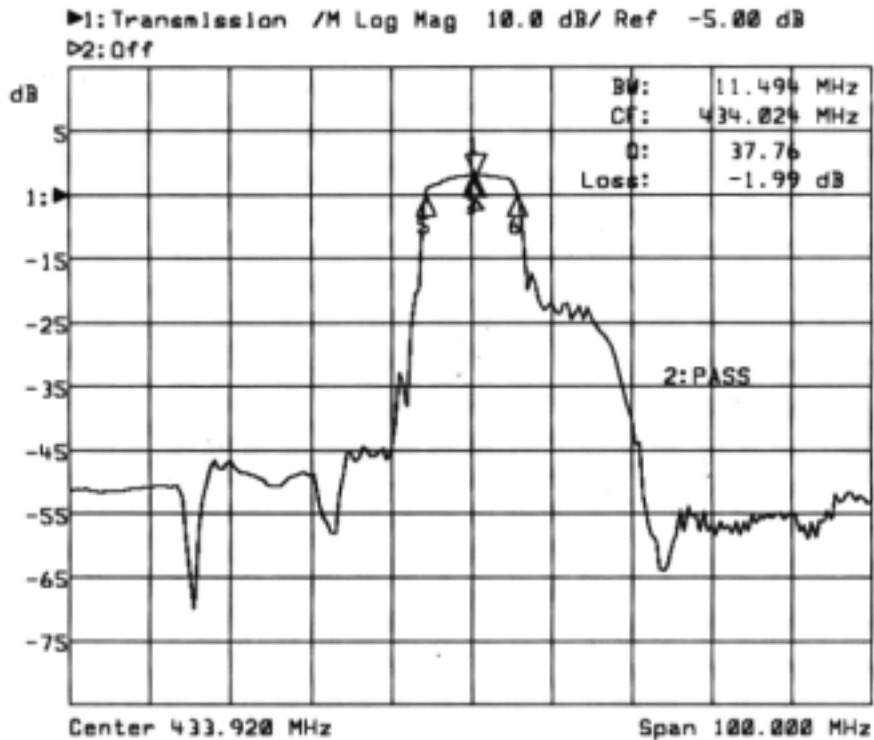
### 4-2. Electronic Characteristics

Item	Min	Typ	Max	Unit
Center Frequency $f_c$	--	433.92	--	MHz
Usable Signal Band		±3.0		MHz
Insertion Loss $f_c \pm 3.0\text{MHz}$	--	2.7	4.0	dB
Rejection Band				
$f_c - 45\text{ MHz} \dots f_c - 40\text{MHz}$		50	55	dB
$f_c + 40\text{MHz} \dots f_c + 45\text{MHz}$		45	50	dB
Ripple ( within $f_c \pm 3.0\text{MHz}$ )	--	1.5	2.0	dB
Input/Output Impedance (Nominal)	50 //0pF			

# SPECIFICATION OF SAW FILTER

YOKETAN CORP.

## 5. Frequency Response



## 6. Notice

Unless noted otherwise, all measurements are made with the filter installed in the specified test fixture that is connected to a 50Ω test system with  $VSWR \leq 1.2:1$ . The test fixture L and C are adjusted for minimum insertion loss at the filter center frequency,  $f_c$ . Note that insertion loss, bandwidth, and passband shape are dependent on the impedance matching component values and quality.