

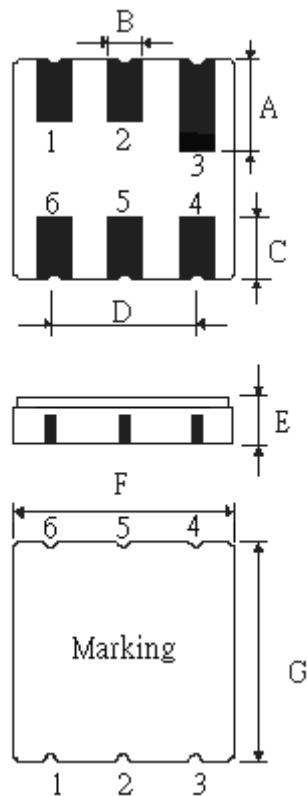
SPECIFICATION OF SAW FILTER

YOKETAN CORP.

Spec no: SM3838F-02439-220-KY-A

1. Type : SM3838 (Lead Free Parts)

2. Product Dimension



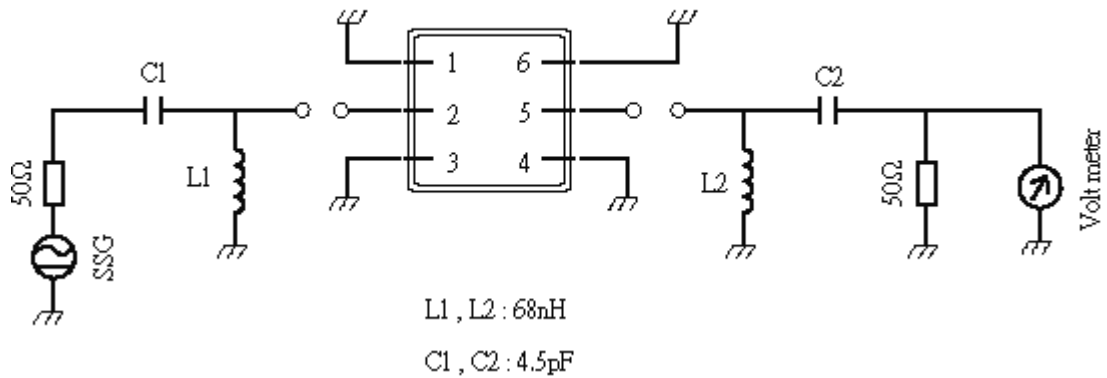
Pin	Connection
2	Input/Output
5	Output/Input
1, 3, 4, 6	Ground

Sign	Data (unit:mm)	Sign	Data(unit:mm)
A	1.90±0.1	E	1.35±0.15
B	0.64±0.1	F	3.80±0.15
C	1.00±0.1	G	3.80±0.15
D	2.54±0.1		

SPECIFICATION OF SAW FILTER

YOKETAN CORP.

3. Test Circuit



4. Performance

4-1. Maximum Ratings

Rating	Value	Unit
Storage Temperature	-35 to +85	
Operating Temperature	-10 to +60	

4-2. Electronic Characteristics

Item	Min	Typ	Max	Unit
Center Frequency f_c	--	243.95	--	MHz
Insertion Loss IL				
Minimum Loss	--	2.6	5.0	dB
Ripple $\Delta\alpha$				
$f_c \pm 110 \text{ KHz}$	--	0.5	1.5	dB
Guaranteed Attenuation				
$f_c - 0.6 \text{ MHz}$	25	52	--	dB
$f_c + 0.6 \text{ MHz}$	25	34	--	dB
$f_c - 1.2 \text{ MHz}$	40	47	--	dB
$f_c + 1.2 \text{ MHz}$	40	43	--	dB
$f_c - 21.6 \text{ MHz}$	60	70	--	dB
Group Delay Deviation				
$f_c \pm 110 \text{ KHz}$	--	0.5	1.2	$\mu \text{ sec}$