

SPECIFICATION OF SAW FILTER

YOKETAN CORP.

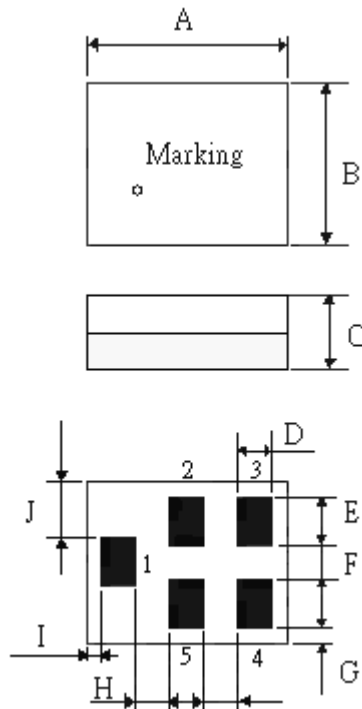
Spec no: SM1411F-15754-003-MS-A

1. Features

RF filter for GPS.

2. Type : SM1411

3. Product Dimension



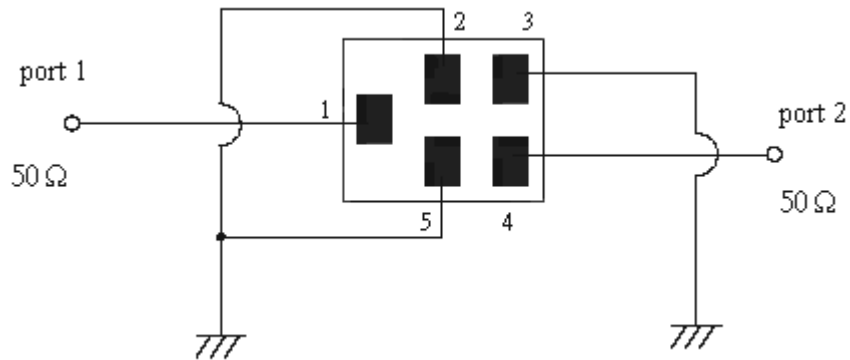
Pin	Connection
1	Input
4	Output
2,3,5	Ground

Sign	Data (unit:mm)	Sign	Data(unit:mm)
A	1.40±0.1	F	0.25±0.075
B	1.10±0.1	G	0.1 +0.15 / -0.075
C	0.5 max.	H	0.25±0.075
D	0.25±0.075	I	0.075 +0.15 / -0.075
E	0.325±0.075	J	0.388±0.075

SPECIFICATION OF SAW FILTER

YOKETAN CORP.

4. Test Circuit



Input Impedance : 50 (single ended) Output Impedance : 50 (single ended)

5. Electronic Characteristics

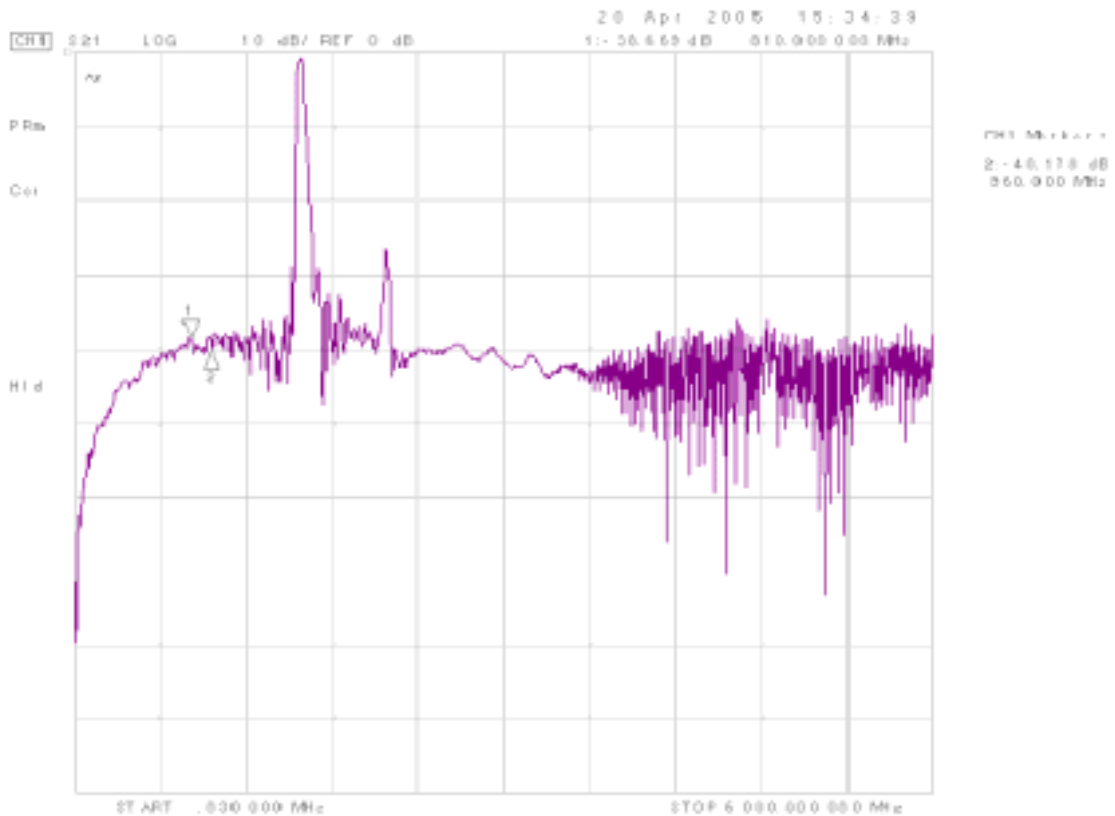
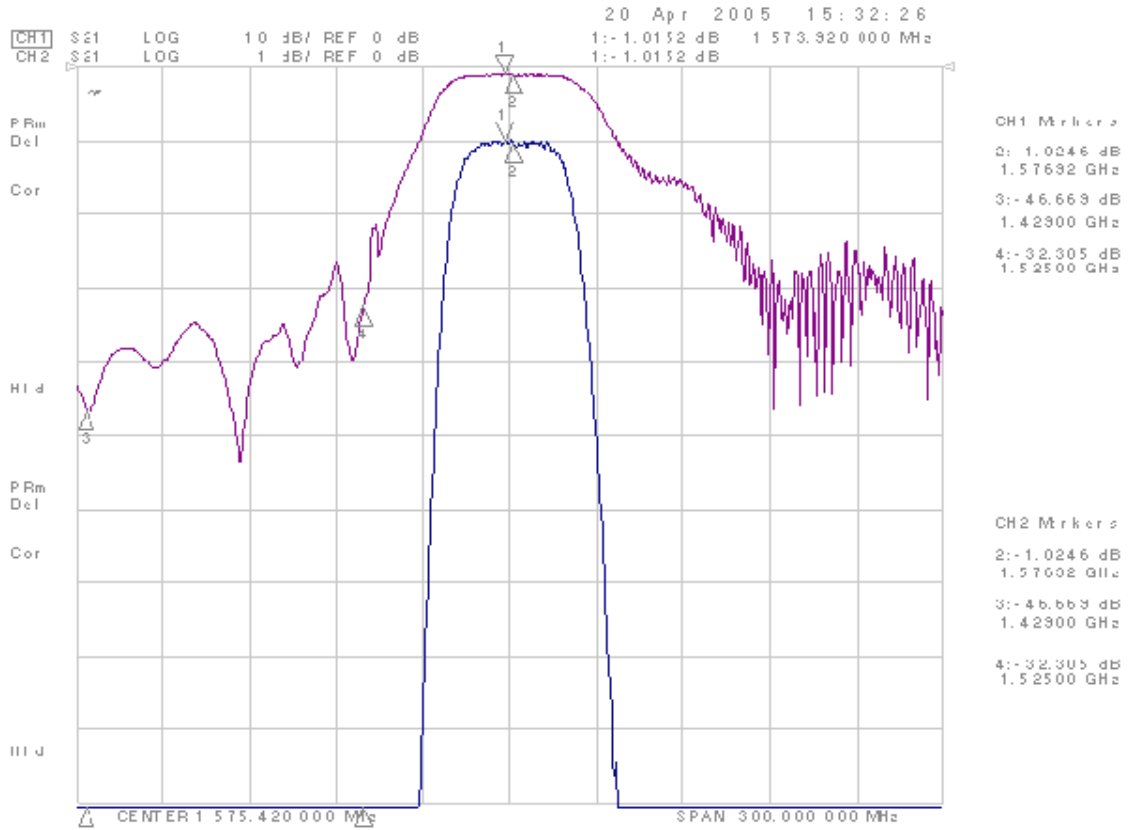
Operable Temperature Range : -30 to +85

Item	Min.	Typ.	Max.	Unit
Center Frequency f_c	--	1575.42	--	MHz
Insertion Loss IL $f_c \pm 1.5$ MHz	--	0.8	1.3	dB
Attenuation				
ATT1 810 ~ 960 MHz	32	38	--	dB
ATT2 1429 ~ 1525 MHz	20	27	--	
Ripple in passband $f_c \pm 1.5$ MHz	--	0.1	0.3	dB
VSWR (S11) $f_c \pm 1.5$ MHz		1.3	2.0	
VSWR (S22) $f_c \pm 1.5$ MHz		1.3	2.0	
Input / Output Impedance	50Ω			

SPECIFICATION OF SAW FILTER

YOKETAN CORP.

6. Frequency Response



SPECIFICATION OF SAW FILTER

YOKETAN CORP.

6. Frequency Response

